



SICS™ – SPUHR® IDEAL CHASSIS SYSTEM™

CONTENT

Background	3
Meet SICS™	4
Adjustability	5
Modularity	7
Stability	8
Innovation	9
Quality	10
Contact	11

We started with **adjustability**,
added **modularity** and **stability**.
Then we put it all together with
our **passion** for **innovation** and
obsession for **quality**.



Background

Since 2007, Spuhr i Dalby AB has been supplying the market with innovative mounting solutions aimed at professional users and sportsmen alike. With a focus on innovative designs combined with the highest quality materials and components, Spuhr® design and manufacture lightweight, reliable products, that allow the users to configure their equipment to best fit their needs.

The first product released by Spuhr® under our own name was our Night Vision Carry System, which was specifically designed for a special operations unit, and which remains one of the lightest, most flexible, and dependable solutions on the market.

Products at Large

One of the core competencies of Spuhr® is the ability to radically improve existing products as to improve their usability, ergonomics, and in many cases to retain their viability in the 21st century. Our HK G36 and HK417 upgrades provided the starting point but the clearest example of this competency is our HK G3 and



One of over 90 variants of our scope mount ISMS™ that we make in in-house.

MP5 upgrade kits, where our modular forends and proprietary stock assemblies provide better handling and recoil absorption, thus prolonging the viability of these more than 60-year-old designs for many years to come.

ISMS™

Introduced in 2009, the Spuhr Ideal Scope

Mount System™ (ISMS™) revolutionized the market with our patented diagonally cut rings and Spuhr Interfaces™, making the scope mount a mounting platform for a myriad of accessories—many of which had yet to hit the market.

The ISMS™ line of products has become the industry standard for mounting platforms and is currently being used by military and law enforcement units around the world, as well as by sporting shooters and hunters alike.

A black Spuhr rifle with a scope and bipod lying on a bed of pine needles. The rifle is positioned diagonally across the frame, with the barrel pointing towards the bottom right. The background is a dense layer of brown pine needles and some small twigs. A semi-transparent grey box is overlaid on the right side of the image, containing text. In the bottom left corner, there is a faint, stylized logo consisting of a circle and a vertical line.

This is SICS™

With the knowledge and experience gathered from a lifetime of shooting and the last couple of decades of design and production, and after two years of development, we are now launching the **Spuhr® Ideal Chassis System™** (SICS™ - pronounced "six").

Adjustability

A hard truth about marksmanship is that your equipment is only as good as it fits you. You can have the best of the best – if it doesn't fit your physique or your shooting style, it is not helping you deliver your best performance. On the contrary, it will work against you. We don't know about you, but here at Spuhr® we believe that everybody on your team should work together. This is why we started by addressing the issue of adjustability when we designed the SICS™, so you can get a perfect fit and maximum performance.

Pistol Grip

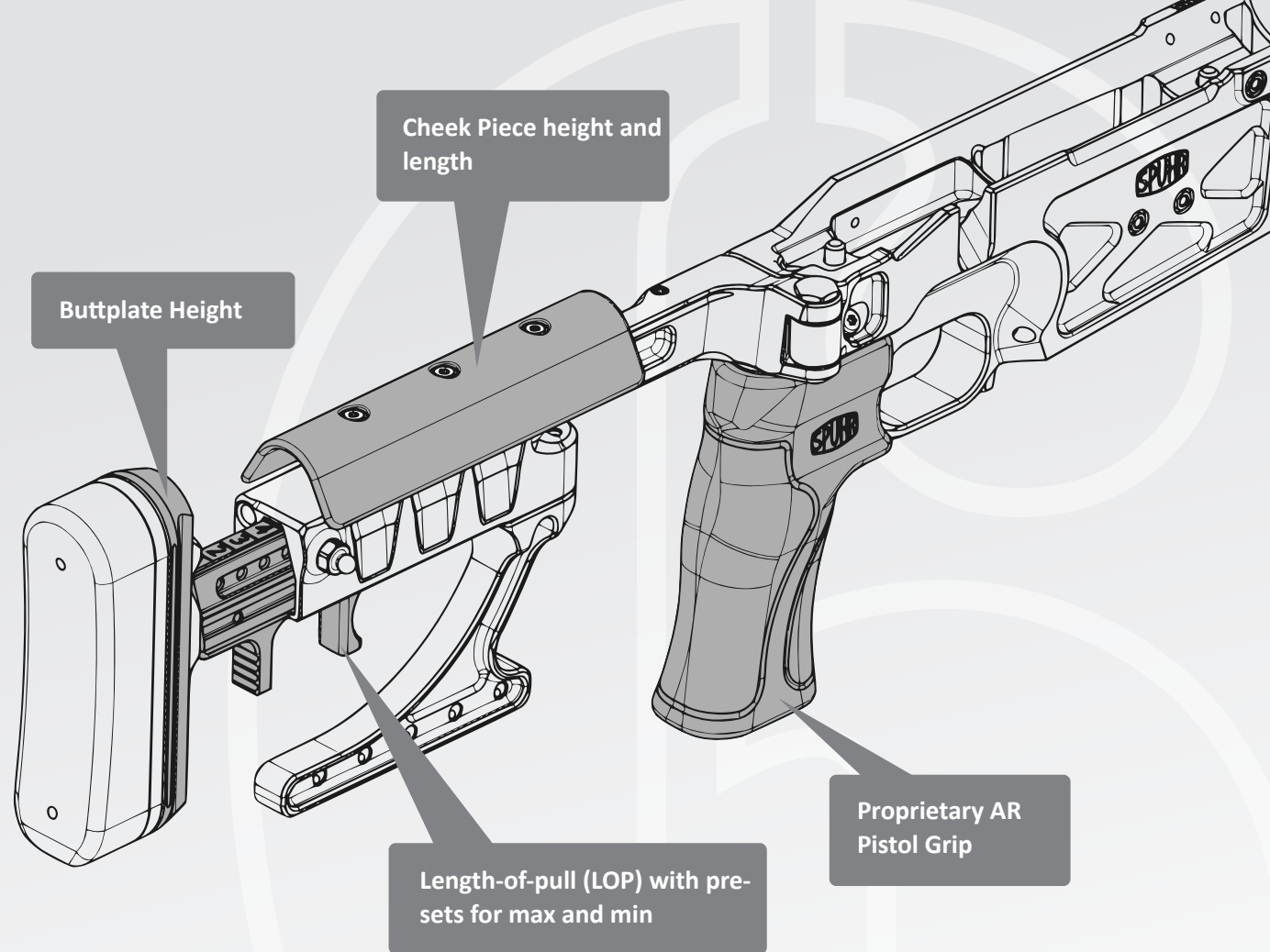
The SICS™ uses a proprietary pistol grip, designed to comfortably fit a wide range of hand sizes without creating tension during prolonged trigger engagement. The pistol grip is rubberized for a non-slip grip and can also be adjusted for length-of-pull.

Length-Of-Pull

The stock assembly allows for rapid tool-less length-of-pull (LOP) adjustment by pinching the LOP levers and moving the LOP Bar and Butt Plate Assembly to the desired position. The total span of rapid LOP adjustment is 50 mm (1.97") but the Butt Plate Assembly can

also be fitted with a spacer to further extend the LOP.

The LOP Bar can also be fitted with preset stops for minimum and maximum LOP, making it easy to quickly get into a proper firing stance/position with a minimum amount of motion.



Cheek Piece

The rubberized cheek piece can be adjusted for height and for lengthwise position. The height adjustment is easily made using a wing nut on the side of the cheek piece slide.

Lengthwise adjustment of the cheek piece position requires a Torx 20 key.

Butt Plate Height

The Butt Plate Assembly, featuring a Limb-saver® Airtech® recoil pad, allows for rapid tool-less adjustment of the recoil pad height by depressing the Butt Plate Locking Button while sliding the Butt Plate Assembly to the desired position. The total adjustment span is 30 mm (1.18”).



Adjustability is key. It helps if the chassis works with you in those circumstances where the environment does not.

Modularity

An extension of adjustability is modularity. Modularity allows you to tailor your SICS™ to your needs, and to build a tool that will work with you and has the possibility to change over time, or for different purposes.

Spuhr® Interface™

The Spuhr Ideal Chassis System™ features one of the hallmarks of the Spuhr Ideal Scope Mount System™: the Spuhr Interface™.

Using a systemic approach, the integration of the Spuhr Interface™ into the SICS™ allows users to fully configure their rifle as needed, being able to move accessories between their scope mount and their chassis, enabling the perfect setup for any intended use.

The Spuhr Interface™ consists of a female and a male interface surface, featuring circular grooves and ridges mating around an M4 screw. This interface design does not have any sharp edges and has the best repeatability on the market.

Forend

The SICS™ 16" standard forend features an



integrated Arca Swiss® rail for use of various commonly available bipod and tripod solutions. The SICS™ can also be fitted with different length forends depending on user requirements.

With all SICS™ forends, a short Picatinny Gen2 rail is included so that a bipod or other 3rd par-

ty accessories can be attached to the chassis.

Bag Riders

The Folding Stock Assembly includes a fixed height exchangeable bag rider which features Spuhr Interfaces™ on the bottom surface, for attachment of butt spikes, and other accessories.

Stability

The third key feature of SICS™ is stability. We could have called this precision, but the chassis is not about precision per se, that is the job of the barrel and action. Our chassis provides extreme stability and stiffness as the foundation for a superiorly accurate rifle system is a rigid platform for the barreled action.

Chassis Body

The SICS™ is based around a rigid chassis body machined from a single billet of 7000 series aircraft aluminum with an extended tenon to support the forend. The exterior sides of the magwell area of the chassis body feature Spuhr Interfaces™ for easy attachment of accessories.

Forend

The Modular Forend, attach to the chassis body with nine M6 fasteners, is machined from a single piece of aircraft aluminum in a tubular design to increase rigidity and stability.

Folding Stock Assembly

The Folding Stock Assembly features an adjustable locking mechanism to ensure a rock-solid lockup.





Innovation

LOP

The Spuhr Ideal Chassis System™ features an innovative patent pending length-of-pull adjustment mechanism, allowing the Folding Stock Assembly to be quickly extended or retracted as needed.

Forend

Not only does the SICS™ Forend feature an integrated Arca Swiss® rail, but it also features an innovative design by which our proprietary Arca Rail Grabber can be rapidly – and securely – moved between positions along the rail, with just a mere push of a button.

Quality

Quality is not just nice to have – it is essential. Sportsmen and professional users alike need to be able to count on their SICS™ being there for them and that it performs every time and under any conditions. Competitions and real-life use can be rough on the gear, and failures can cost more than just a place on a podium. This is why quality and durability are the starting points for every product we design at Spuhr®.

Spuhr® brings our world leading level of quality and attention to detail to the development and production of the Spuhr Ideal Chassis System™. Combined with ISO certified production techniques and quality management, the innovative design of the SICS™ will take the shooting experience to the next level.





CIVILIANS:
order@spuhr.com

GOVERNMENT CONTRACTS:
gov@spuhr.com

